

1. DESCRIPTION

3. FEATURES

-
-
-
-
-
-
-
-
-
-

2. APPLICATIONS

-
-
-
-

4. TYPICAL APPLICATION CIRCUIT

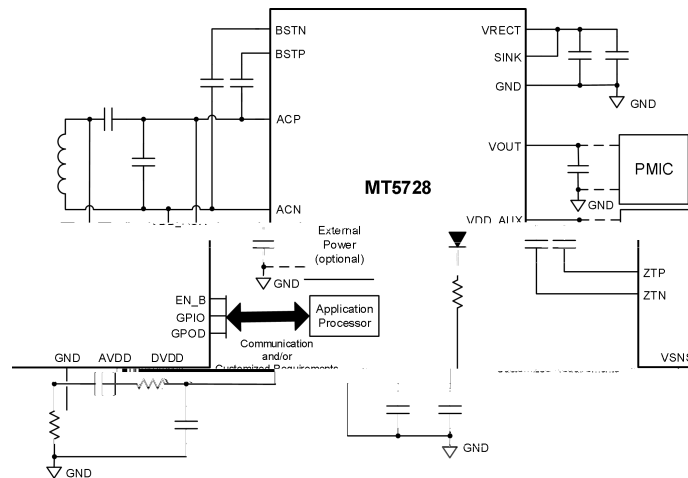


Figure 1 Typical Application Circuit